

Investigation of Dynamic Voltage Restorer for Compensation of Voltage Sag and Swell

¹M. SURESH ²G. RAVI KUMAR

¹M.Tech Research Scholar, Priyadarshini Institute of Technology & Management

²Associate Professor, Priyadarshini Institute of Technology & Management

Abstract:-The power quality (PQ) requirement is one of the most important issues for power companies and their customers. The power quality disturbances are voltage sag, swell, notch, spike and transients etc. The voltage sag and swell is very severe problem for an industrial customer which needs urgent attention for its compensation. There are various methods for the compensation of voltage sag and swell. One of the most popular methods of sag and swell compensation is Dynamic Voltage Restorer (DVR), which is used in both low voltage and medium voltage applications. In this paper, the comprehensive reviews of various articles, the advantages and disadvantages of each possible configuration and control techniques pertaining to DVR are presented. The compensation strategies and controllers have been presented in literature, aiming at fast response, accurate compensation and low costs. This review will help the researchers to select the optimum control strategy and power circuit configuration for DVR applications. This will also very helpful in finalizing the method of analysis and recommendations relating to the power quality problems.

Keywords: Power quality, dynamic voltage restorer, control strategies, compensation techniques, control algorithm.

◆

I. INTRODUCTION

Power quality issues and resulting problems are consequences of the increasing use of solid state switching devices, nonlinear and power electronically switched loads, electronic type loads. The advent and wide spread of high power semiconductor switches at utilization, distribution and transmission lines have non sinusoidal currents [1]. The electronic type load causes voltage distortions, harmonics and distortion. Power quality problems can cause system equipment malfunction, computer data loss and memory mal function of the sensitive equipment such as computer, programmable logic devices [PLC] controls, and protection and relaying equipment [1]. Voltage sag and swell are most wide spread power quality issue affecting distribution systems, especially industries, where involved losses can reach very high values. Short and shallow voltage sag can produce dropout of a whole industry. In general, it is possible to consider voltage sag and swell as the origin of 10 to 90% power quality

problems [2]. The main causes of voltage sag are faults and short circuits, lightning strokes, and inrush currents and swell can occur due to a single line-to ground fault on the system, which can also result in a temporary voltage rise on the unfaulted phases [3]. Power quality in the distribution system can be improved by using a custom power device DVR for voltage disturbances such as voltage sags, swells, harmonics, and unbalanced voltage. The function of the DVR is a protection device to protect the precision manufacturing process and sophisticate sensitive electronic equipments from the voltage fluctuation and power outages [4]. The DVR has been developed by Westinghouse for advance distribution. The DVR is able to inject a set of three single-phase voltages of an appropriate magnitude and duration in series with the supply voltage in synchronism through injection transformer to restore the power quality. The DVR is a series conditioner based on a pulse width modulated voltage source inverter, which is generating or absorbing real or reactive power independently. Voltage sags caused by unsymmetrical

line-to-line, line to ground, double-line-to-ground and symmetrical three phase faults is affected to sensitive loads, the DVR injects the independent voltages to restore and maintained sensitive to its nominal value. The injection power of the DVR with zero or minimum power for compensation purposes can be achieved by choosing an appropriate amplitude and phase angle [4] [5]. Section 2 discusses the basic configuration of DVR. The various operating modes of DVR are discussed in section 3. Section 4 presents the type of control strategies in DVR with linear and non-linear control. Section 5 discusses the compensation techniques in DVR. The control algorithm and conclusion are discussed in section 6 and 7 respectively.

II. DYNAMIC VOLTAGE RESTORER

Dynamic Voltage Restorer is series connected voltage source converter based compensator which has been designed to protect sensitive equipments like Programmable Logic Controllers (PLCs), adjustable speed drives etc from voltage sag and swell. Its main function is to monitor the load voltage waveform constantly by injecting missing voltage in case of sag/swell [4] [5]. To obtain above function a reference voltage waveform has to be created which is similar in magnitude and phase angle to that of supply voltage. During any abnormality of voltage waveform it can be detected by comparing the reference and the actual waveform of the voltage. As it is series connected device so it cannot mitigate voltage interruptions. The first DVR was installed for rug manufacturing industry in North Carolina. Another was used in Australia for large dairy food processing plant [4] [5] [6].

A Dynamic Voltage Restorer is basically controlled voltage source converter that is connected in series with the network. It injects a voltage on the system to compensate any disturbance affecting the load voltage. The compensation capacity depends on maximum voltage injection ability and real power supplied by the DVR. Energy storage devices like batteries and SMES are used to provide the real power to load when voltage sag occurs [6]. If a fault occurs on any feeder, DVR inserts series voltage and compensates load voltage to pre-fault voltage. A basic block diagram for open loop DVR is shown in figure 1 [6] [7].

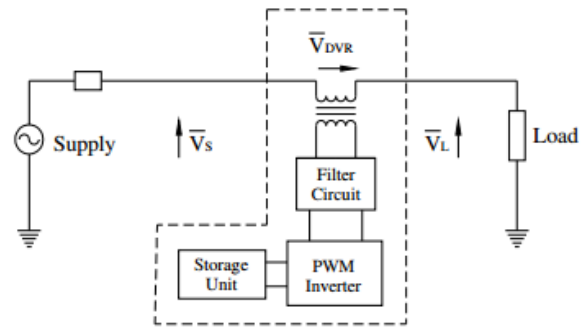


Figure 1 Dynamic Voltage Restorer (DVR) schematic diagram

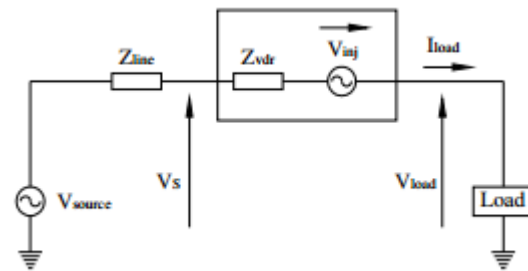


Figure 2 Equivalent circuit of DVR

Figure 2 shows the equivalent circuit of the DVR, when the source voltage is drop or increase, the DVR injects a series voltage V_{inj} through the injection transformer so that the desired load voltage magnitude V_{Load} can be maintained [4] [7]. The series injected voltage of the DVR can be written as:

$$V_{inj} = V_{Load} + V_s \quad (1)$$

Where, V_{Load} is the desired load voltage magnitude. V_s is the source voltage during sags/swells condition. The basic principle of the dynamic voltage restorer is to inject a voltage of required magnitude and frequency, so that it can restore the load side voltage to the desired amplitude and waveform even when the source voltage is unbalanced or distorted. Generally, it employs a gate turn off Thyristors (GTO) solid state power electronic switches in a pulse width modulated (PWM) inverter structure.

The DVR can generate or absorb independently controllable real and reactive power at the load side. In other words, the DVR is made of a solid state DC to AC switching power converter that injects a set of three

phase AC output voltages in series and synchronism with the distribution and transmission line voltages. The source of the injected voltage is the commutation process for reactive power demand and an energy source for the real power demand [4] [7]. The energy source may vary according to the design and manufacturer of the DVR. Some examples of energy sources applied are DC capacitors, batteries and that drawn from the line through a rectifier.

The general configuration of the DVR consists of the following equipment:

- (a) Series injection transformer
- (b) Energy storage unit
- (c) Inverter circuit
- (d) Filter unit
- (e) DC charging circuit
- (f) A Control and Protection system

III. OPERATING MODES OF DVR

The basic function of the DVR is to inject a dynamically controlled voltage $VDVR$ generated by a forced commutated converter in series to the bus voltage by means of a booster transformer. The momentary amplitudes of the three injected phase voltages are controlled such as to eliminate any detrimental effects of a bus fault to the load voltage [8]. This means that any differential voltages caused by transient disturbances in the ac feeder will be compensated by an equivalent voltage generated by the converter and injected on the medium voltage level through the booster transformer [4] [8]. The DVR has three modes of operation which are: protection mode, standby mode, injection/boost mode.

3.1. PROTECTION MODE

If the over current on the load side exceeds a permissible limit due to short circuit on the load or large inrush current, the DVR will be isolated from the systems by using the bypass switches (S2 and S3 will open) and supplying another path for current (S1 will be closed) as

shown in figure 3 [4] [8].

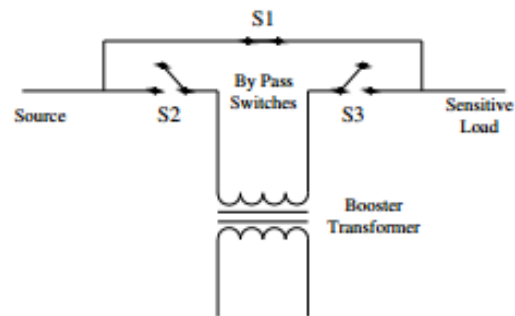


Figure 3 Protection Mode (creating another path for current)

3.2. STANDBY MODE: ($VDVR = 0$)

In the standby mode the booster transformer's low voltage winding is shorted through the converter. No switching of semiconductors occurs in this mode of operation and the full load current will pass through the primary as shown in figure 4 [8] [9].

3.3. INJECTION/BOOST MODE: ($VDVR > 0$)

In the Injection/Boost mode the DVR is injecting a compensating voltage through the booster transformer due to the detection of a disturbance in the supply voltage [8] [9].

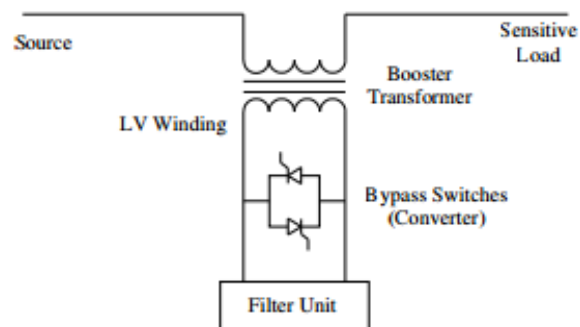


Figure 4 Standby Mode

IV. TYPE OF CONTROL STRATEGIES IN DVR

There are several techniques to implement and control philosophy of the DVR for power quality improvement in the distribution system. Most of the reported DVR

systems are equipped with a control system that is configured to mitigate voltage sags/swells. Other DVR applications that include power flow control, reactive power compensation, as well as limited responses to power quality problems. The aim of the control scheme is to maintain constant voltage magnitude at the point where a sensitive load is connected under system disturbances [9]. The control system only measures the r.m.s voltage at the load point, i.e., no reactive power measurements are required. The control of DVR is very important and it involves detection of voltage sags (start, end and depth of the voltage sag) by appropriate detection algorithms which work in real time. The voltage sags can last from a few milliseconds to a few cycles, with typical depths ranging from 0.9 pu to 0.5 pu of a 1 pu nominal. Inverter is an important component of DVR. The performance of the DVR is directly affected to the control strategy of inverter. There have many studies been done by the researchers about the inverter control strategy for the DVR implementation [10] [11]. The inverter control strategy comprises of following two types of control as following:

- (a) Linear Control and
- (b) Non Linear Control

V. COMPENSATION TECHNIQUES IN DVR

Voltage injection or compensation methods by means of a DVR depend upon the limiting factors such as; DVR power ratings, various conditions of load, and different types of voltage sags. Some loads are sensitive towards phase angle jump and some are sensitive towards change in magnitude and others are tolerant to these. Therefore, the control strategies depend upon the type of load characteristics [11] [12]. There are four different methods of DVR voltage injection which are:

- (a) Pre-sag compensation method
- (b) In-phase compensation method
- (c) In-phase advanced compensation method
- (d) Voltage tolerance method with minimum energy injection

5.1. PRE-SAG/DIP Compensation Method

The pre-sag method tracks the supply voltage continuously and if it detects any disturbances in supply voltage it will inject the difference voltage between the sag or voltage at PCC and pre-fault condition, so that the load voltage can be restored back to the pre-fault condition. Compensation of voltage sags in the both phase angle and amplitude sensitive loads would be achieved by pre-sag compensation method as shown in figure 5 [12] [13]. In this method the injected active power cannot be controlled and it is determined by external conditions such as the type of faults and load conditions. The voltage of DVR is given below:

$$VDVR = V_{prefault} - V_{sag} \quad (2)$$

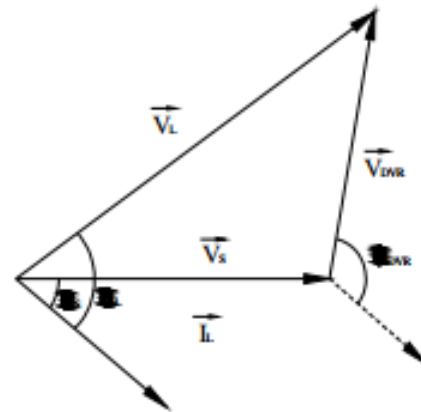


Figure 5 Pre-Sag compensation methods

5.2. In-Phase Compensation Method

This is the most straight forward method. In this method the injected voltage is in phase with the supply side voltage irrespective of the load current and pre-fault voltage as shown in figure 6. The phase angles of the pre-sag and load voltage are different but the most important criteria for power quality that is the constant magnitude of load voltage are satisfied [12] [13]. The load voltage is given below:

$$|VL| = |V_{prefault}| \quad (3)$$

One of the advantages of this method is that the amplitude of DVR injection voltage is minimum for

Certain voltage sags in comparison with other strategies. Practical application of this method is in no sensitive

loads to phase angle jump.

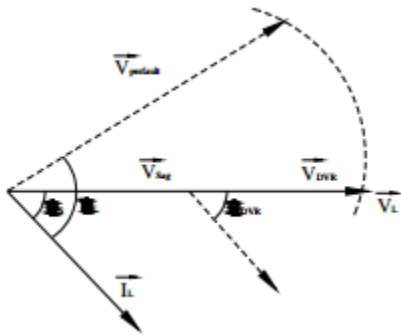


Figure 6 In-Phase compensation methods

5.3. In-Phase Advanced Compensation Method

In this method the real power spent by the DVR is decreased by minimizing the power angle between the sag voltage and load current. In case of pre-sag and in-phase compensation method the active power is injected into the system during disturbances. The active power supply is limited stored energy in the DC links and this part is one of the most expensive parts of DVR. The minimization of injected energy is achieved by making the active power component zero by having the injection voltage phasor perpendicular to the load current phasor. In this method the values of load current and voltage are fixed in the system so we can change only the phase of the sag voltage. IPAC method uses only reactive power and unfortunately, not all the sags can be mitigated without real power, as a consequence, this method is only suitable for a limited range of sags [12] [13] [14].

5.4. Voltage Tolerance Method with Minimum Energy Injection

A small drop in voltage and small jump in phase angle can be tolerated by the load itself. If the voltage magnitude lies between 90%-110% of nominal voltage and 5%-10% of nominal state that will not disturb the operation characteristics of loads (figure 7). Both magnitude and phase are the control parameter for this method which can be achieved by small energy injection [13] [14].

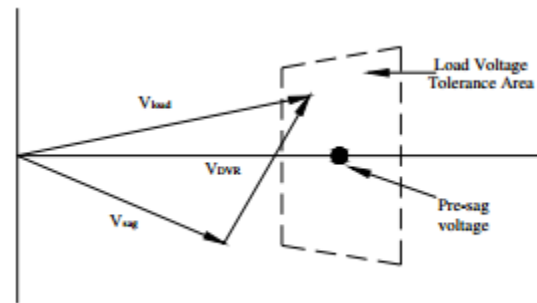


Figure 7 Voltage tolerance methods with minimum energy injection

VI. CONTROL ALGORITHM

There are some techniques mentioned below for detection of voltage sag and swell:

- Fourier Transform
- Phase Locked Loop (PLL)
- Vector control (Software Phase Locked Loop –SPLL)
- Peak value detection
- Wavelet Transform

The basic functions of a controller in a DVR are the detection of voltage sag/swell events in the system; computation of the correcting voltage, generation of trigger pulses to the sinusoidal PWM based DC-AC inverter, correction of any anomalies in the series voltage injection and termination of the trigger pulses when the event has passed [14] [15]. The controller may also be used to shift the DC-AC inverter into rectifier mode to charge the capacitors in the DC energy link in the absence of voltage sags/swells. The dqo transformation or Park's transformation is used to control of DVR. The dqo method gives the sag depth and phase shift information with start and end times. The quantities are expressed as the instantaneous space vectors. Firstly convert the voltage from abc reference frame to d-q-o reference. For simplicity zero phase sequence components is ignored.

VII. CONCLUSION

This paper has presented an exhaustive literature survey on performance of DVR. The above survey shows that the DVR is suitable for compensation of voltage sag and swell by the use of different controlling techniques. The linear control offer simpler implementation and require less computational efforts compared to other methods and therefore the most popular technique. The existing topologies, basic structure of DVR, operating modes, control strategies, compensation techniques and its control algorithm have been elaborated in detail. The main advantages of DVR are low cost, simpler implementation; require less computational efforts and its control is simple as compared to other methods. This study also gives useful knowledge for the researchers to develop a new design of DVR for voltage disturbances in electrical system. From the literature survey of DVR applications, this work concluded that the trends of DVR through the years are still assumed as a powerful area of research.

REFERENCES

- [1] Chellali Benachaiba, Brahim Ferdi "Voltage Quality Improvement Using DVR" *Electrical Power Quality and Utilization*, Journal Vol. XIV, No. 1, 2008.
- [2] Dash P.K., Panigrahi B.K., and Panda G., "Power quality analysis using S-transform", *IEEE Trans. On Power Delivery*, vol. 18, no. 2, pp. 406-411, 2003.
- [3] Dash P.K., Swain D.P., Liew A.C. and Raman S., "An adaptive linear combiner for on-line tracking of power system harmonics", *IEEE Trans. on Power Systems*, vol. 11, no.4, pp.1730-1736, 1996.
- [4] Amit Kumar Jena, Bhupen Mohapatra, Kalandi Pradhan, "Modeling and Simulation of a Dynamic Voltage Restorer (DVR)", Project Report, Bachelor of Technology in Electrical Engineering, Department of Electrical Engineering, National Institute of Technology, Rourkela, Odisha-769008
- [5] Rosli Omar, N.A. Rahim and Marizan Sulaiman, "Dynamic Voltage Restorer Application for Power Quality Improvement in Electrical Distribution System: An Overview", *Australian Journal of Basic and Applied Sciences*, 5(12): 379-396, ISSN 1991-8178, 2011.
- [6] Margo P., M. Heri P., M. Ashari, Hendrik M. and T. Hiyama, "Compensation of Balanced and Unbalanced Voltage Sags using Dynamic Voltage Restorer Based on Fuzzy Polar Control", *International Journal of Applied Engineering Research*, ISSN 0973-4562 Volume 3, Number 3, pp. 879-890, 2008.
- [7] M.V.Kasuni Perera, "Control of a Dynamic Voltage Restorer to compensate single phase voltage sags", Master of Science Thesis, Stockholm, Sweden, 2007.
- [8] N. Hamzah, M. R. Muhamad, and P. M. Arsad, "Investigation on the effectiveness of dynamic voltage restorer for voltage sag mitigation", the 5th scored, Malaysia, pp 1-6, Dec 2007.
- [9] Rosli Omar, Nasrudin Abd Rahim, Marizan Sulaiman, "Modeling and simulation for voltage sags/swells mitigation using dynamic voltage restorer (dvr)", *Journal of Theoretical and Applied Information Technology*, JATIT, 2005 - 2009.
- [10] J. G. Nielsen, M. Newman, H. Nielsen, and F. Blaabjerg, "Control and testing of a dynamic voltage restorer (DVR) at medium voltage level", *IEEE Trans. Power Electronics*, vol. 19, no. 3, p.806, May 2004.
- [11] A. Ghosh and G. Ledwich, "Power Quality Enhancement Using Custom Power Devices", Kluwer Academic Publishers, 2002.
- [12] P. Boonchiam and N. Mithulananthan, "Understanding of Dynamic Voltage Restorers through MATLAB Simulation", *Thammasat Int. J. Sc. Tech.*, Vol. 11, No. 3, July-Sept 2006.
- [13] Ghosh, A. and G. Ledwich, 2002. Compensation of Distribution System Voltage Using DVR, *IEEE Trans on Power Delivery*, 17(4): 1030-1036.
- [14] Rosli Omar, Nasrudin Abd rahim, Marizan Sulaiman "Modeling and Simulation for Voltage Sags/Swells Mitigation using Dynamic Voltage Restorer (dvr)", *journal of theoretical and applied information technology*: 2005 - 2009.
- [15] A. Ghosh and G. Ledwich, "Power Quality Enhancement Using Custom Power Devices", Kluwer Academic Publishers, 2002.

[16] S. Chen, G. Joos, L. Lopes, and W. Guo, "A nonlinear control method of dynamic voltage restorers", IEEE 33rd Annual Power Electronics Specialists Conference, pp. 88- 93, 2002.

[17] Wang, B., G. Venkataramanan, and M. Illindala, 2006. "Operation and control of a dynamic voltage restorer using transformer coupled H-bridge converters," IEEE Trans. Power Electron., 21(4): 1053-1061.

[18] Chris Fitzer, Mike Barnes, Peter Green " Voltage Sag Detection Technique for a Dynamic Voltage Restorer", IEEE Transactions on Power Delivery, Vol. 40, No. 1, pp. 203-212, January/February 2004.